

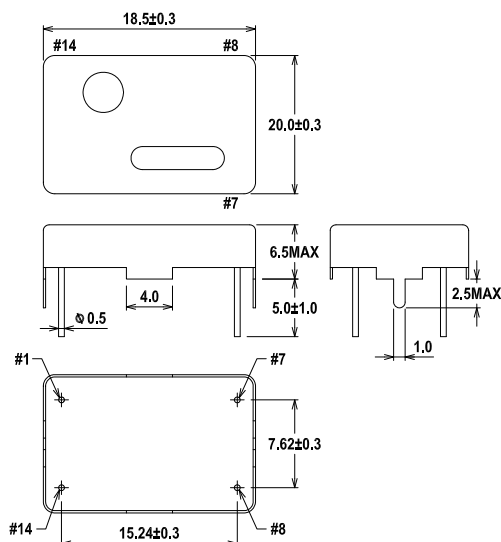
### ◆ Application

- Cellular Applications (GSM, TDMA, CDMA)
- GPS Devices
- Mobile and Portable Radio/Telephone Communications Transceivers
- Pb free product

### ◆ Options

- Carbon

### ◆ Dimension(mm)



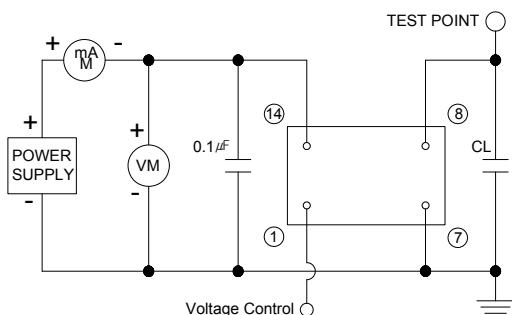
No.	Pin Connection
# 1	Voltage Control
# 7	GND
# 8	Output
# 14	Vcc

### ◆ Standard Specification

(Nominal frequency referenced to frequency at 25 °C ± 2 °C)

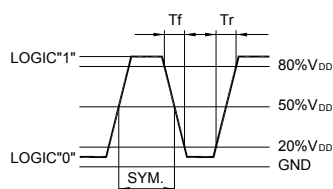
	MVTD-S Serie
Logic Family	Clipped Sine wave
Frequency Range	8.000 MHz ~ 35.000 MHz
Frequency Stability	+/-5.0ppm, +/-2.5ppm, +/-2.0ppm
Pullability	+/-5ppm, +/-10ppm typ. (@Vcont = 2.5Vdc)
Operating Temp. Range	-40°C ~ +85°C, -30°C ~ +75°C, -20°C ~ 70°C
Storage Temp. Range	-55°C ~ +125°C
Input Voltage	+ 5.0 Vdc ± 5% or +3.3 Vdc ± 5%
Input Current	5.0mA Max
Output Level	1.0Volt Vp-p MIN
Aging	+/- 1 ppm/year Max
Output Load	10Kohm//10pF, 20Kohm//10pF
Phase Noise	-40 dBc/Hz max @ 1 Hz offset from carrier -80 dBc/Hz max @ 10 Hz -110 dBc/Hz max @ 100 Hz -135 dBc/Hz max @ 1 kHz -140 dBc/Hz max @ 10 kHz -145 dBc/hz max @ 100 kHz

### ◆ Test Circuit



Note: CL Includes probe and fixture capacitance

### ◆ Output Waveform



### ◆ Parts Number Guide

Classification	Designators								Description	
Example	M	VT	D	-	S	1	6	A	()	20.000 MHz (Frequency)
Logo	M									MDX
Package size		VT								VCTCXO
Product			D							Dip type 18.5mm X 12.0mm
Output Level					S					Clipped Sine wave
Temperature Range						4	8			-40°C ~ +85°C
						3	8			-30°C ~ +80°C
						3	7			-30°C ~ +75°C
						2	7			-20°C ~ +70°C
						1	6			-10°C ~ +60°C
Frequency Stability								A		+/-2.0ppm
								B		+/-2.5ppm
								C		+/-5.0ppm
Supply Voltage									()	+5.0 Volt
									3	+3.3 Volt

2009-02b

All specifications are subject to change without notice