

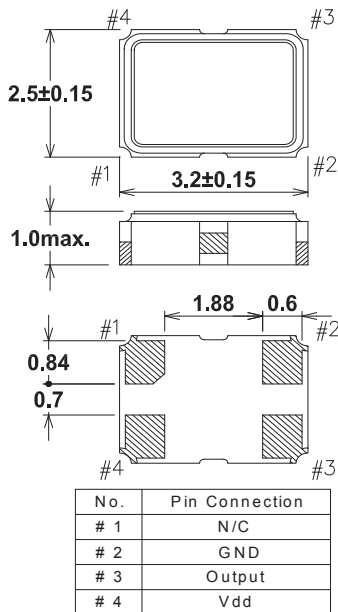
◆ **Application**

- Cellular Telephone (GSM,PDC, TDMA,CDMA) .
- Pb free product

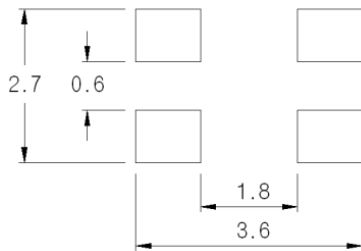
◆ **Options**

- TAPE & REEL

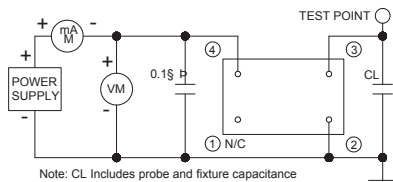
◆ **Dimension(mm)**



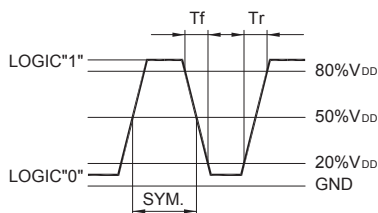
◆ **Recommended Land Pattern**



◆ **Test Circuit**



◆ **Output Waveform**



◆ **Standard Specification**

(Nominal frequency referenced to frequency at 25 °C±2 °C)

	MT3-S Series
Logic Family	Clipped Sine wave
Frequency Range	8.000 ~ 33.000MHz
Frequency Stability	+/-2.0ppm , +/-2.5ppm , +/-5.0ppm
Operating Temp.Range	-20°C ~ +70°C, -30°C ~ +75°C , -40°C ~ +85°C
Storage Temp.Range	-55°C ~ +125°C
Input Voltage	+ 3.3 Vdc ± 5%
Input Current	2.0mA Max
Output Level	+0.8 Volt Vp-p MIN
Aging	+/- 1 ppm/year Max
Output Load	10Kohm/10pF
Phase Noise	-135 dBc/Hz max @ 1 kHz

◆ **Parts Number Guide**

Classification	Description									
Example	M	T	3	-	S	2	7	A	--	20.000000 MHz (Frequency)
Logo	M									MDX-KONY
Product		T								TCXO
Package size			3							3.2 X 2.5mm
Output Level					S					Clipped Sine wave
Temperature Range						4	8			-40°C ~ +85°C
						3	8			-30°C ~ +80°C
						3	7			-30°C ~ +75°C
						2	7			-20°C ~ +70°C
						1	6			-10°C ~ +60°C
Frequency Stability						0	5			0°C ~ +50°C
								A		+/-2.0ppm
								B		+/-2.5ppm
								C		+/-5.0ppm

Ref 2009-06a - All specifications are subject to change without notice