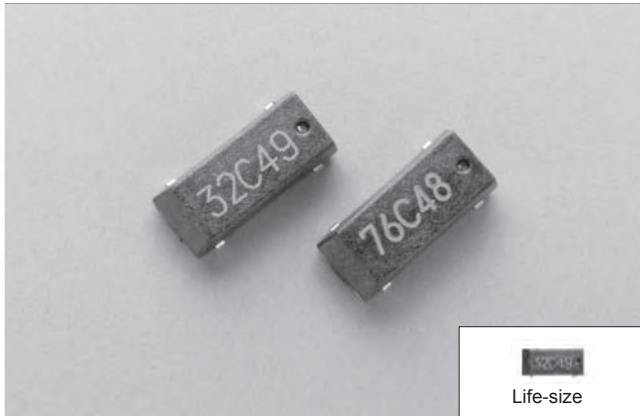


Tape & Reel 3Kpcs



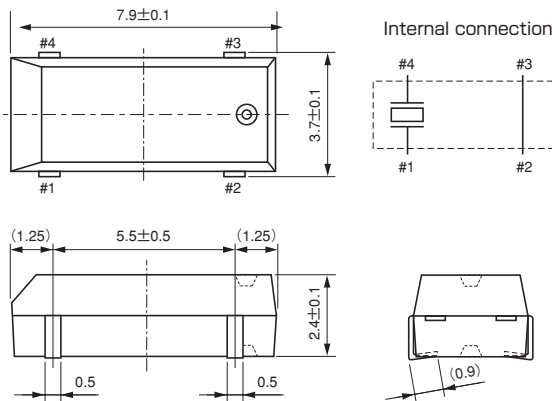
Tuning fork Crystal Unit



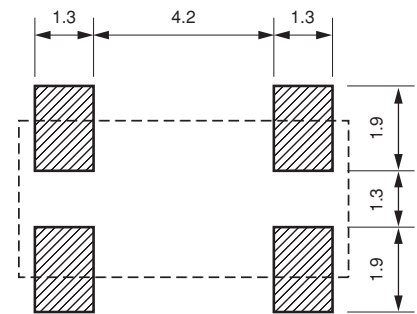
◆ **Features**

- Embedded with heat resistant cylinder type crystal bringing highly stable characteristics.
- Automatic mounting and reflowable type.
- Most appropriate for clock source for portable and automotive equipment with low power consumption.

◆ **Dimensions (mm)**



◆ **Solder pad layout (mm)**



◆ **Standard Specifications**

Part Numbering system is in Page 17

Item	Model	MXC200S	MXC250S	Conditions
Nominal Frequency	f_0	32.768KHz	30KHz~100KHz	Need to contact us for the available frequency in MXC250
Frequency Tolerance	$\Delta f/f_0$	± 20 ppm	± 30 ppm	at 25°
Load capacitance	C_L			Need to specify your requirement
Operating Temperature Range	T_{OPR}	-40°C~+85°C		
Storage Temperature Range	T_{STR}	-55°C~+125°C		
Turnover Temperature	T_M	25°C \pm 5°C		
Temperature Coefficient	β	-0.034 \pm 0.006ppm/°C ²		
Motional (series) resistance	R_1	50K Ω Max.		at 25°C
Level of drive	D_L	1 μ W Max.		
Aging (first year)	$\Delta f/f_0$	± 3 ppm Max.	± 5 ppm Max.	25°C \pm 3°C
Quality Factor	Q	70000 Typ.	70000 Typ.~100000 Typ.	Depend on frequency
Shunt capacitance	C_0	1.35pF Typ.	0.8pF~1.7pF Typ.	Depend on frequency

Ref 2010-02a - All specifications are subject to change without notice

MDX codification 32,768 KHz Crystals (Part Numbering System)

Case	Frequency code	Tolerance at 25°C (ppm)	Load capacitance	Packing Specification
MFS206	- 32	D	F	T
↓	↓	↓	↓	↓
<p>MFS206 MXC200T MXC206J MXC200S MXC519 MXC415 MXC315 MXC212</p>	<p>32,768 KHz</p>	<p>D = +/- 20 ppm F = +/- 15 ppm E = +/- 10 ppm H = +/- 5 ppm</p>	<p>A = Series B = 6.0pF C = 9.0pF (STD) D = 9.5pF E = 12.0pF F = 12.5pF (STD) G = 13.0pF Q = 10.0pF S = 11.0pF V = 8.0pF Y = 7.0pF Z = Others</p>	<p>T = Tape & Reel B = Bulk</p>