

◆ **Application**

- Gigabit Ethernet
- Fiber Channel
- ADSL,DSL,DS3,ES3,E1,STS-1,T1
- Network Processors, Voice Over Packet
- Pb free product

◆ **Options**

- Stick

◆ **Standard Specification**

(Nominal frequency referenced to frequency at 25°C ±2°C)

	MHC/MHH
Logic Family	HCMOS
Frequency Stability	+/-25ppm , +/-50ppm , +/-100ppm
Operating Temp.Range	-20°C ~ +70°C
Storage Temp.Range	-55°C ~ +125°C
High Level ("1")	+90% V _{DD} Min
Low Level ("0")	+10% V _{DD} Max
Symmetry	40% ~ 60% (@ +50% V _{DD} Level)

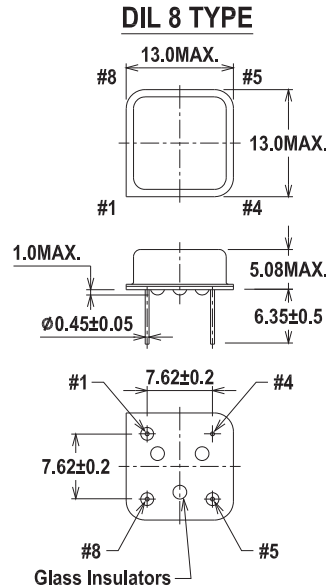
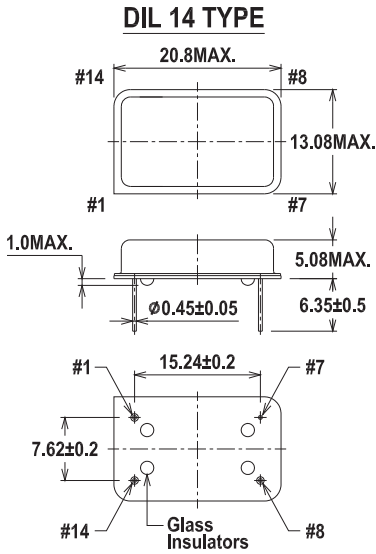
MHC,MHH,MTH	Input Voltage +5.0Vdc ±10%					Input Voltage +3.3Vdc ±10%					Input Voltage +1.8Vdc ±5%		
Frequency Range(MHz)	0.500 ~ 6.000	6.000+ ~ 24.000	24.000+ ~ 106.250			0.500 ~ 6.000	6.000+ ~ 24.000	24.000+ ~ 106.250			0.500 ~ 6.000	6.000+ ~ 24.000	24.000+ ~ 70.000
Input Current	12mA Max	20mA Max	35mA Max	50mA Max	65mA Max	20mA Max	25mA Max	30mA Max	35mA Max	60mA Max	10mA Max		
Rise & Fall Time	8.0 ns Max		5.0 ns Max	3.0ns Max		4.0 ns Max	3.0 ns Max		3.0ns	4.0 ns Max	3.0 ns Max		
Output Load	50pF		30pF	15pF		50pF	30pF		15pF	15pF			

◆ **Parts Number Guide**

MHC / MHH										MTH										
Classification	Description									Classification	Description									
Example	M	H	C	1	1	00			-	25.0000 MHz (Frequency)	Example	M	T	H	0	6	0	C	-	25.0000 MHz (Frequency)
Logo	M									MDX-KONY	Logo	M								MDX-KONY
Logic		H								HCMOS	Logic		T							Tri-state
Case			C							DIL 14	Symmetry				0					45/55,less than 50MHz-40/60, more than 50MHz / -20°C+70°C
			H							DIL 8					1					45/55,more than 50MHz / -20°C+70°C
Symmetry				1						45/55,less than 50MHz or 40/60,more than 50MHz				2					45/55,less than 50MHz-40/60, more than 50MHz / -40°C+85°C	
				2						45/55,more than 50MHz	Freq. Range				3					0.500MHz ~ 6.000MHz
				00						+/-100ppm					6					+6.000MHz ~ 24.000MHz
			45						+/-50ppm					8					+24.000MHz and more	
Temperature Range								()		-20°C ~ +70°C (Standard)	Case				0					DIL 14
								A		-40°C ~ +85°C					9					DIL 8
								B		-20°C ~ +85°C		Frequency Stability							A	
Supply Voltage								()		+5.0V								B		+/- 50ppm
								3		+3.3V								C		+/-100ppm
								2		+1.8V	Supply Voltage							()		+5.0V
									+3.3V								3		+3.3V	
									+1.8V								2		+1.8V	



◆ **Dimension(mm)**

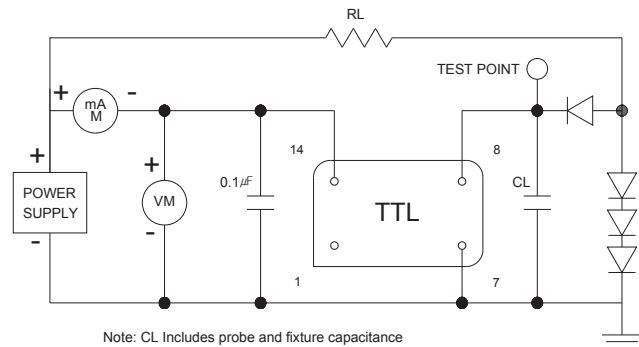
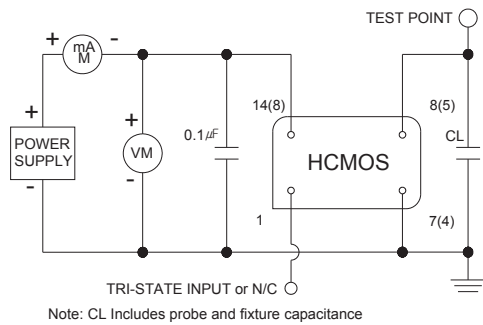


◆ **Pin Connection**

DIL 14 TYPE	
Pin No.	Pin Functions
#1	Tri-State or N/C
#7	GND
#8	Output
#14	Vdc

DIL 8 TYPE	
Pin No.	Pin Functions
#1	Tri-State or N/C
#4	GND
#5	Output
#8	Vdc

◆ **Test Circuit**



◆ **Output Waveform**

