
Line Card

D-Sub Connectors

Range of Different Connectors

Bus Connectors

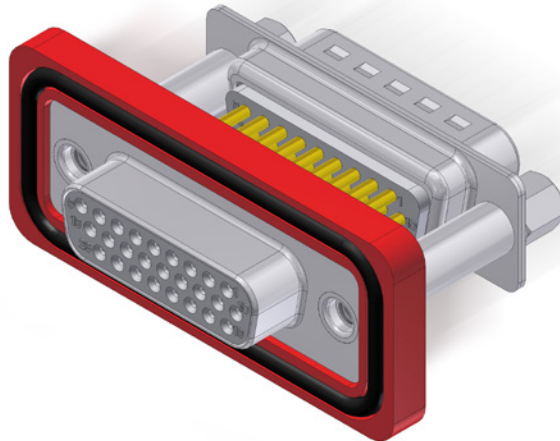
Motors

Thermoelectric Cooling/Heating

Passive Components



Deltron offers a wide range of different connectors and other electronic and electromechanical components.



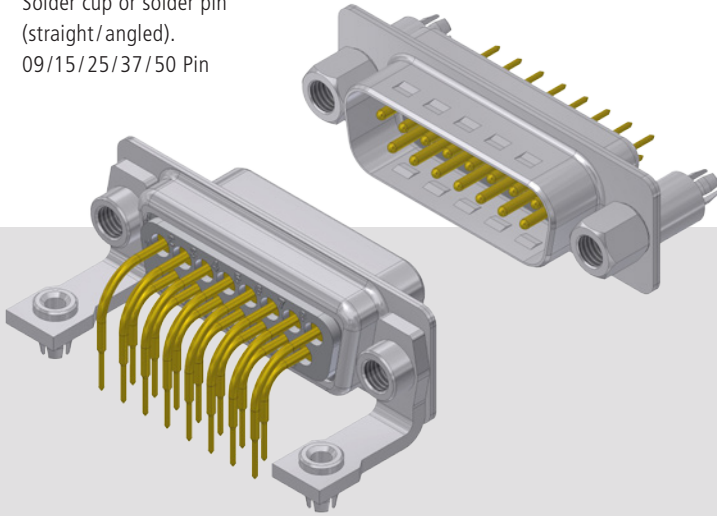
Customized production is our speciality.

Our consulting service will support you during the realisation of your idea.

D-Sub Connectors

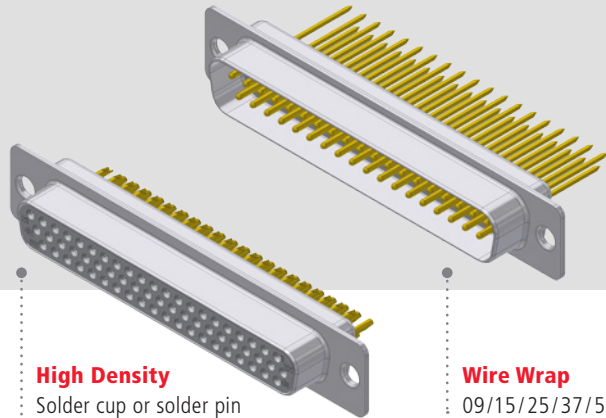
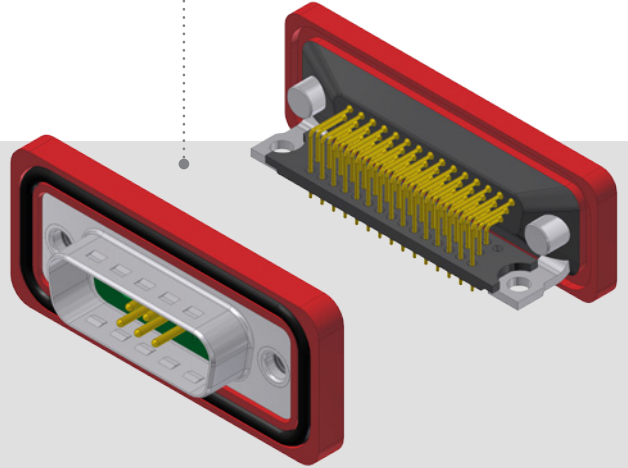
Standard

Solder cup or solder pin (straight/angled).
09/15/25/37/50 Pin



Waterproof IP 67

Standard, high density, combi and filter versions.

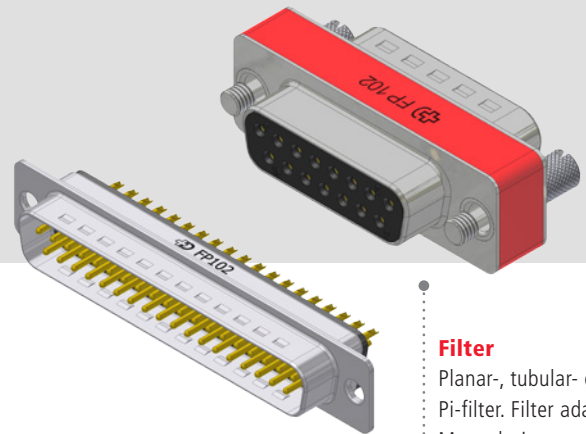


High Density

Solder cup or solder pin (straight/angled).
15/26/44/62 Pin

Wire Wrap

09/15/25/37/50 Pin



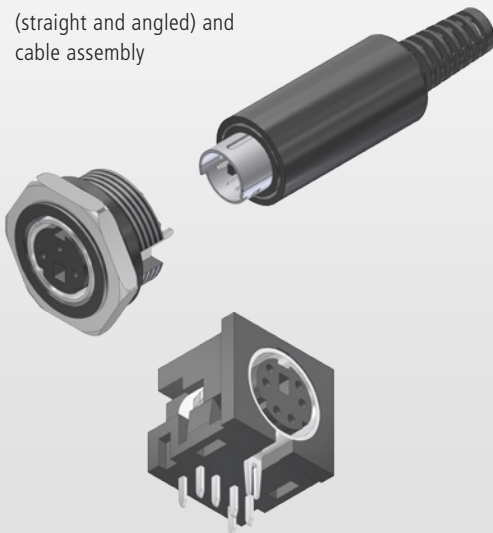
Filter

Planar-, tubular- or Pi-filter. Filter adapter. Many designs and mounting types.

Range of different Connectors

Mini DIN

Connectors for PCB (straight and angled) and cable assembly



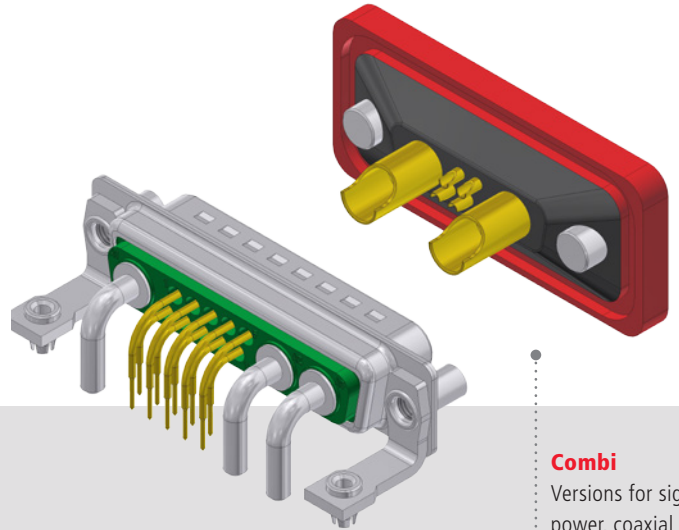
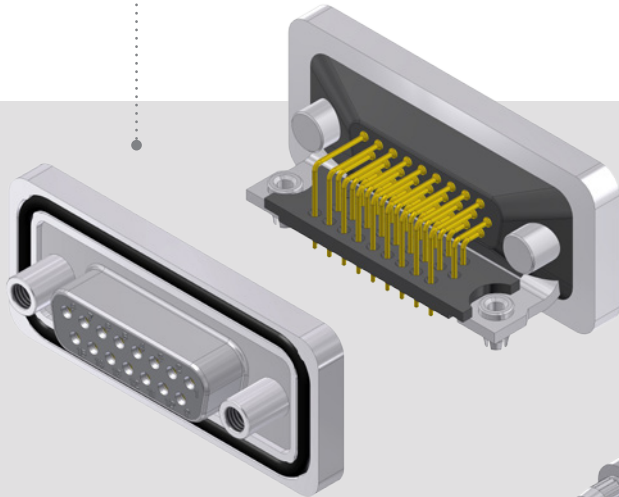
Circular Connectors Industry/Automation

Different series of connectors, plastic or metal body, 2 to 12 pins



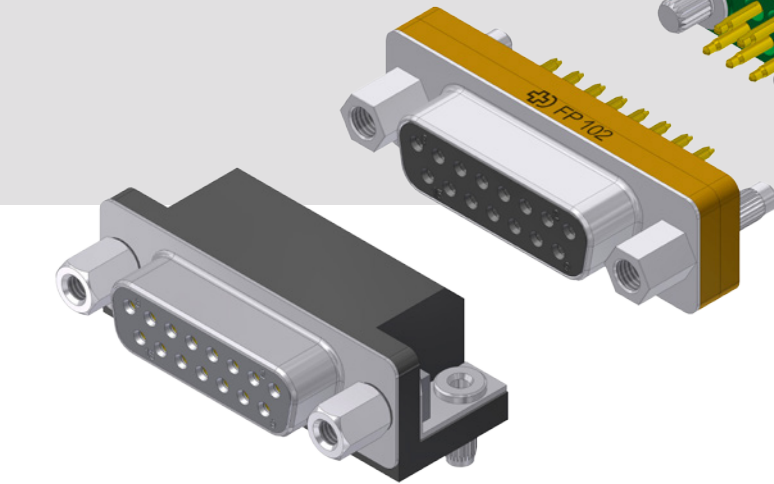
Waterproof IP 68

For front or back mounting.
Versions: Standard, high density, combi and filter.



Combi

Versions for signal, power, coaxial and pneumatic contacts.



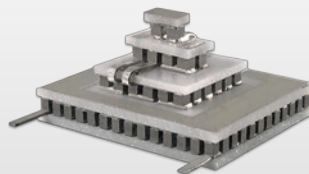
Press Fit

For standard-, high density-, combi- and filter-connectors.

Thermoelectric Cooling/Heating

M8/M12 and Electrovalve Connectors

M8/M12 circular connectors and valve connectors, the complete range for automation



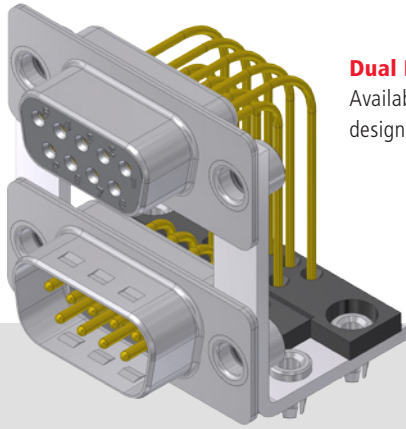
Thermoelectric Technology

Elements for cooling and heating, thermal generators

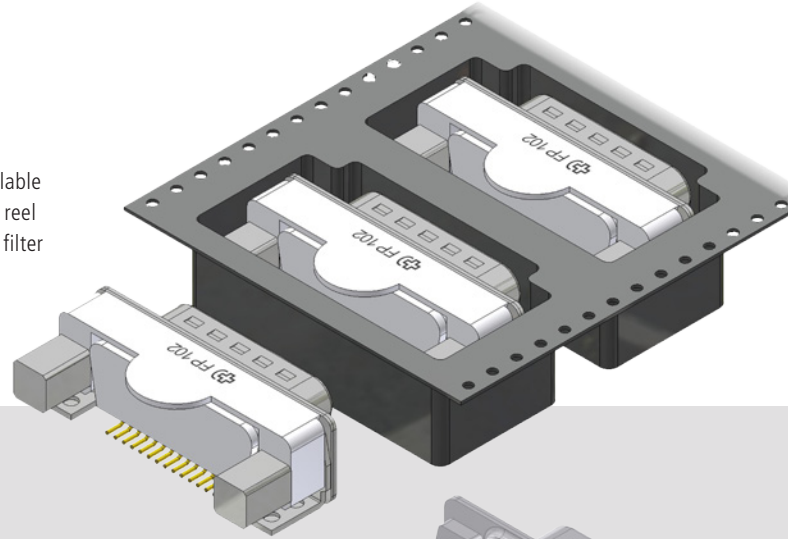


Cooling Units

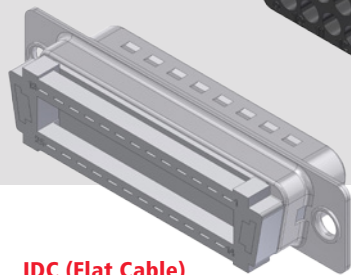




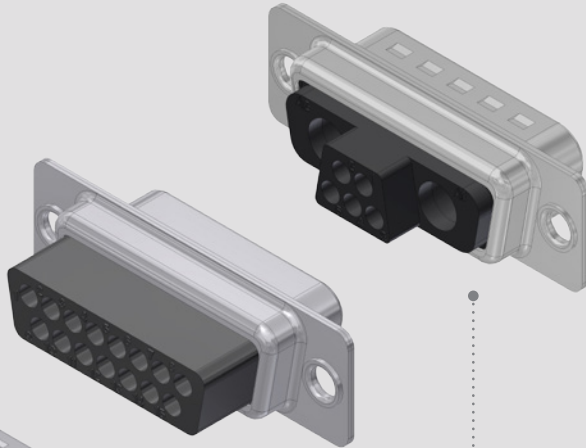
Dual Port
Available in various designs



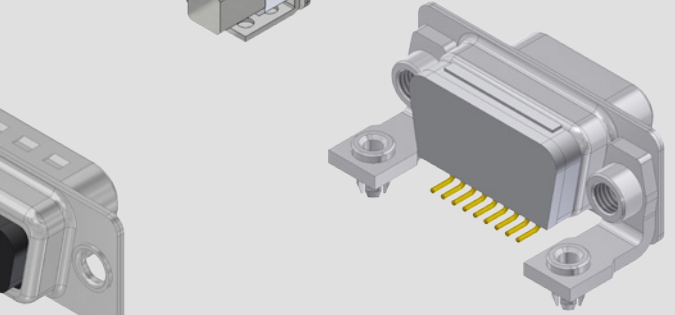
SMD
Also available taped on reel and with filter



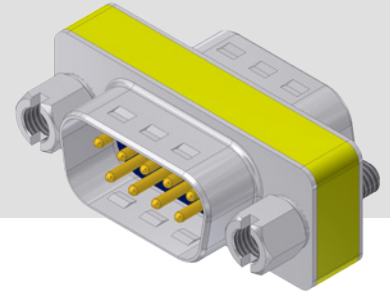
IDC (Flat Cable)
Stamped contacts, suitable for cable AWG 28-26



Crimp Standard
Crimp contacts and body. Standard and high density execution. Machined or stamped contacts.



Crimp Combi
Crimp contacts and body. Signal, power, coaxial.

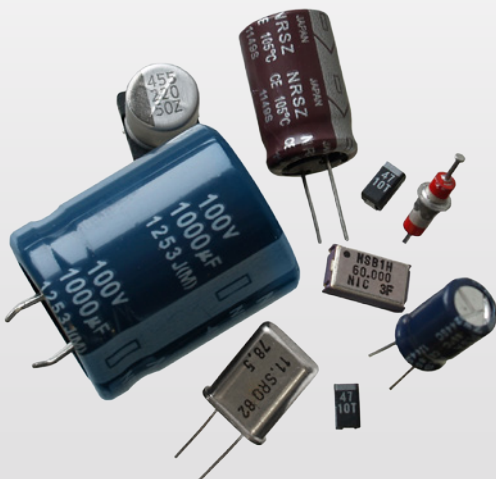


Gender Changer
In standard and high density versions

Electrical Components

Passive Components

Various capacitors, resistors, ferrites, spools and quartz.



Motors

Driving Devices

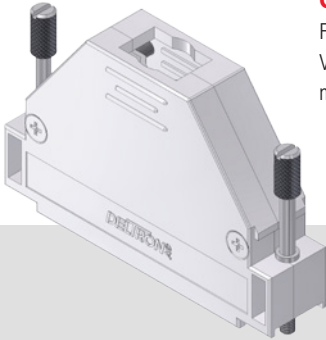
Stepper motors, AC motors, DC motors.



D-Sub Hood

Hood with Straight Cable Exit

For D-Sub 09/15/25/37/50 Pin.
Various versions in plastic or metallized.



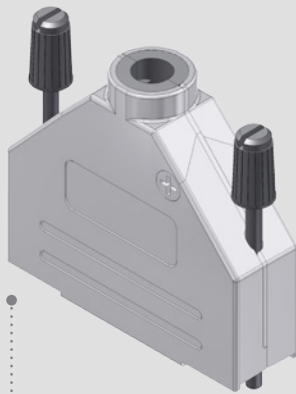
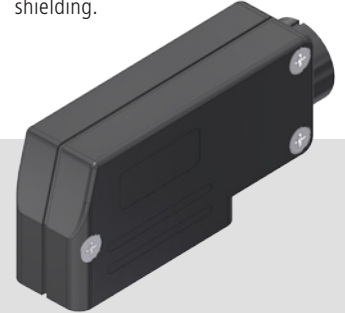
Hood with Straight and Side Cable Exit

For D-Sub 09/15/25/37 Pin.
Various versions in plastic or metallized.



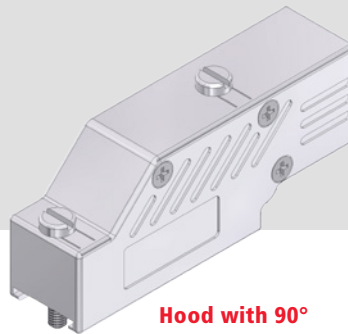
Hood with 90° Angled Cable Exit

For D-Sub 09/15/25/37 Pin.
Plastic. With or without shielding.



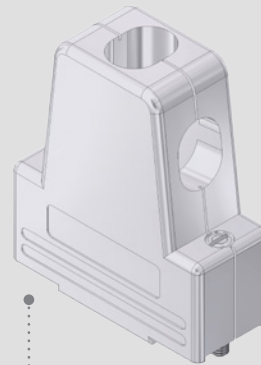
Hood with Straight or Side Exit

For D-Sub 09/15/25/37 Pin.
Metal, EMI/RFI shielding.



Hood with 90° Angled Cable Exit

For D-Sub 09/15/25/37 Pin.
Metal, EMI/RFI shielding.



Hood with Straight and 2 Side Cable Exit

For D-Sub 09/15/25/37 Pin.
Plastic or metallized.

Hood IP 67

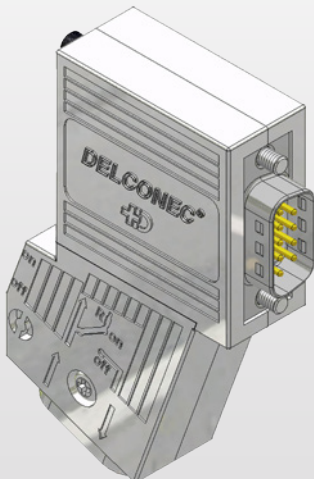
For D-Sub 09/15/25 Pin.
Plastic, waterproof.



Bus Connector

Bus Connector

Profibus, CAN-Bus,
Interbus



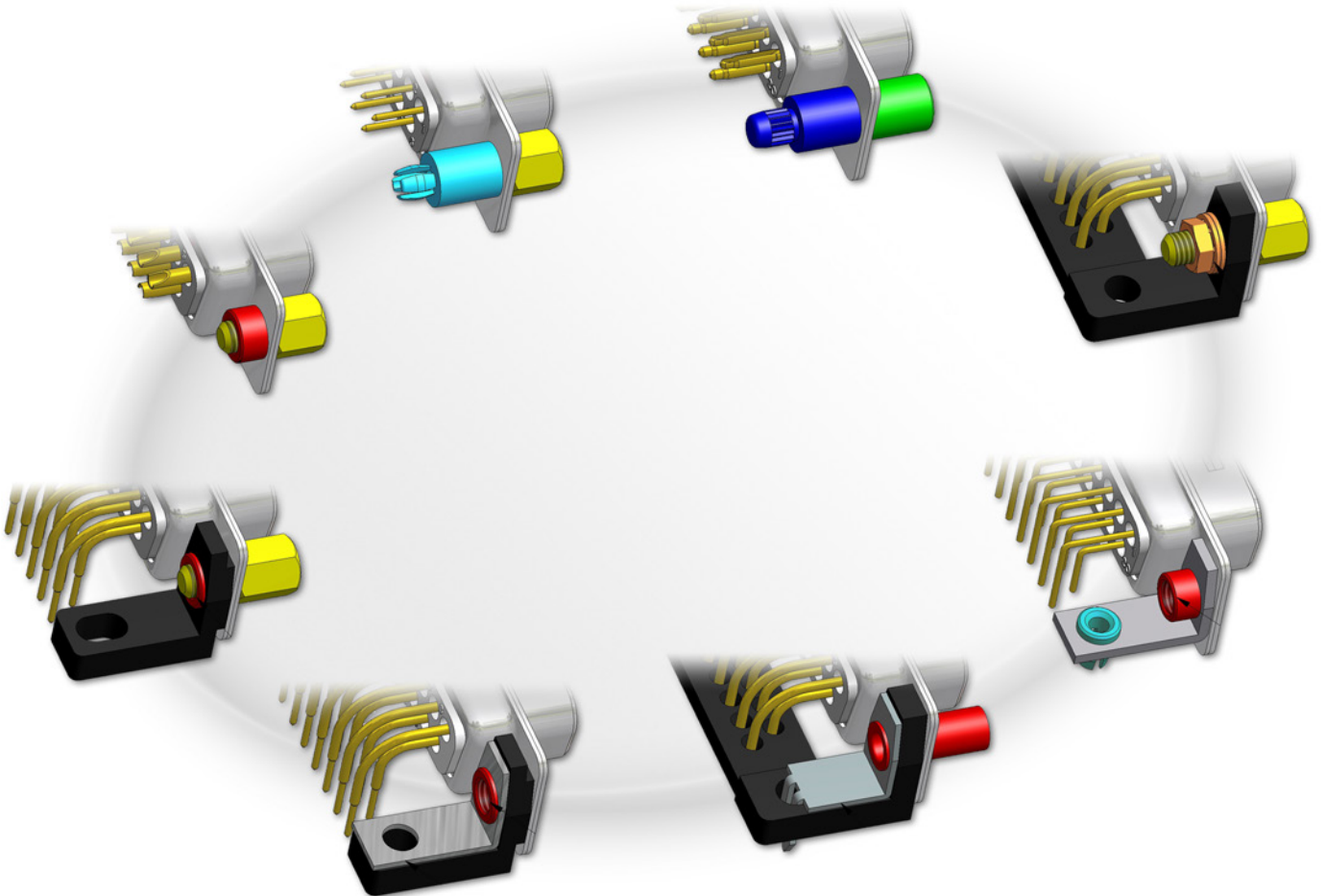
Accessories

For D-Sub connectors



Large Selection of Different Mounting Types

for example



Deltron AG

Industrie Neuhof 8c

CH-3422 Kirchberg

Phone +41 (0)34 448 12 12

Fax +41 (0)34 448 12 13

info@deltron.ch

www.deltron.ch

DELTRON ^{SWISS}
CONNECT 2 CUSTOMIZE